

α STEP AZ Series

Multi-Axis Driver Slim Type **NEW**

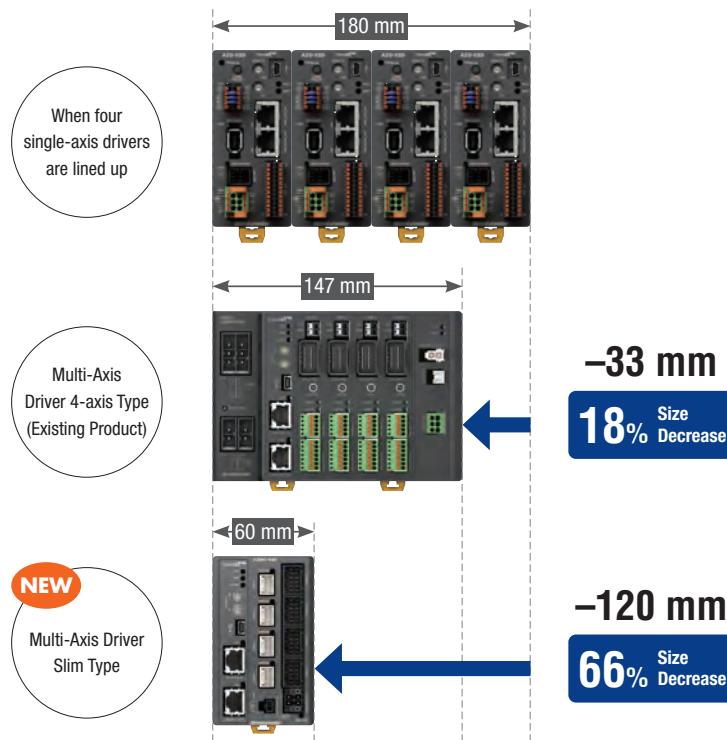
DC Input
EtherCAT Compatible



A single driver can control up to 4 axes of motors simultaneously.
This contributes to reducing equipment size.

Compact and Space Saving

Significant space can be saved compared to existing single-axis and multi-axis drivers.





Combination Products

AZ Series Multi-Axis Slim Type Driver can be used in combination with the following motors and linear & rotary actuators. When using a motor with a frame size of 42 mm or less for multiple-axes, consider using the slim type.

● **Motors**

- α STEP **AZ** Series DC Input

	NEW Multi-Axis Driver Slim Type 	Multi-Axis Driver (Existing Product) 
Combined Motor Product Name	AZM14, AZM15, AZM24, AZM26, AZM46*	AZM14, AZM15, AZM24, AZM26, AZM46, AZM48, AZM66, AZM69

*Can be combined with connector-type motors.

● **AZ** Series Equipped Linear & Rotary Actuators

- Electric Linear Slides **EZS** Series DC Input
- Electric Cylinders **EAC** Series DC Input
- Compact Electric Cylinders **DR** Series/**DRS2** Series
- Hollow Rotary Actuators **DGII** Series DC Input

Difference from Multi-Axis Driver (Existing)

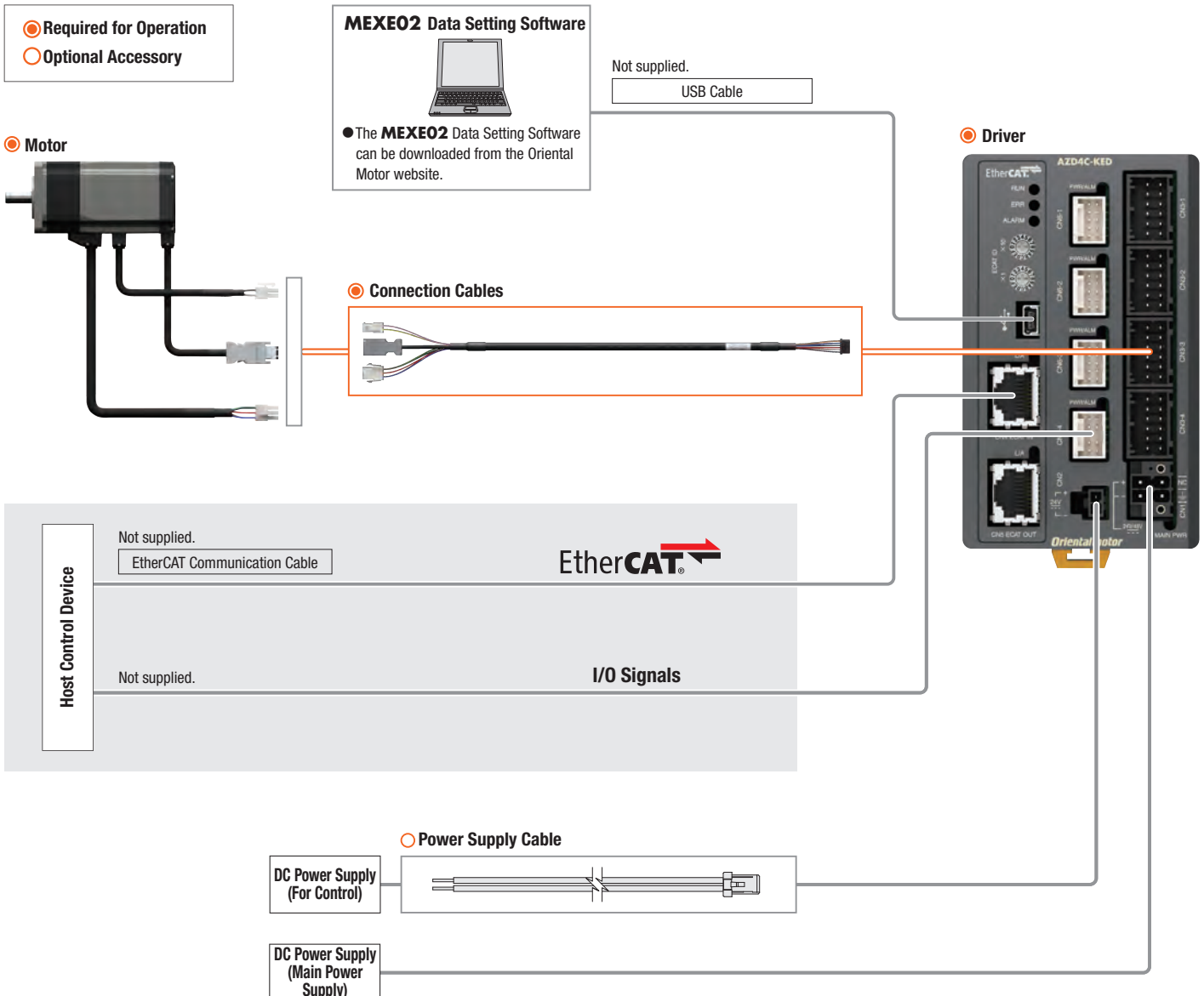
The new slim type is specialized for reducing equipment size and omits some functions.

Item		NEW Multi-Axis Driver Slim Type 	Multi-Axis Driver (Existing Product) 
Function	Regeneration Unit Connection	-	Connect as necessary
	Fan Connection	-	Connect as necessary
	EXT-IN button	-	○
Power Connection	Second Connector (Supply Output)	-	○
Installation Method	Affixing with Screws	-	○
	DIN Rail	○	○
Output	Number of Output Points	1 Point	3 Points
Alarm	Main Power Input Current Error	○	-
	Control Power Overvoltage	○	-

System Configuration

Standard Type Electromagnetic-Brake Motor Combined with Slim Type Multi-Axis Driver

Motors, drivers, and connection cables/flexible connection cables must be ordered separately.



Product Line

◇EtherCAT Compatible

Product Name

AZD4C-KED



Specifications

●Power Supply Input

Main Power Supply: 24 VDC/48 VDC±10% 6.0A

Control Power Supply: 24 VDC±10%* 0.7A

*With Electromagnetic Brake: 24 VDC ±5% (If the extension distance exceeds 10 m, the specification is 24 VDC ±3%.)

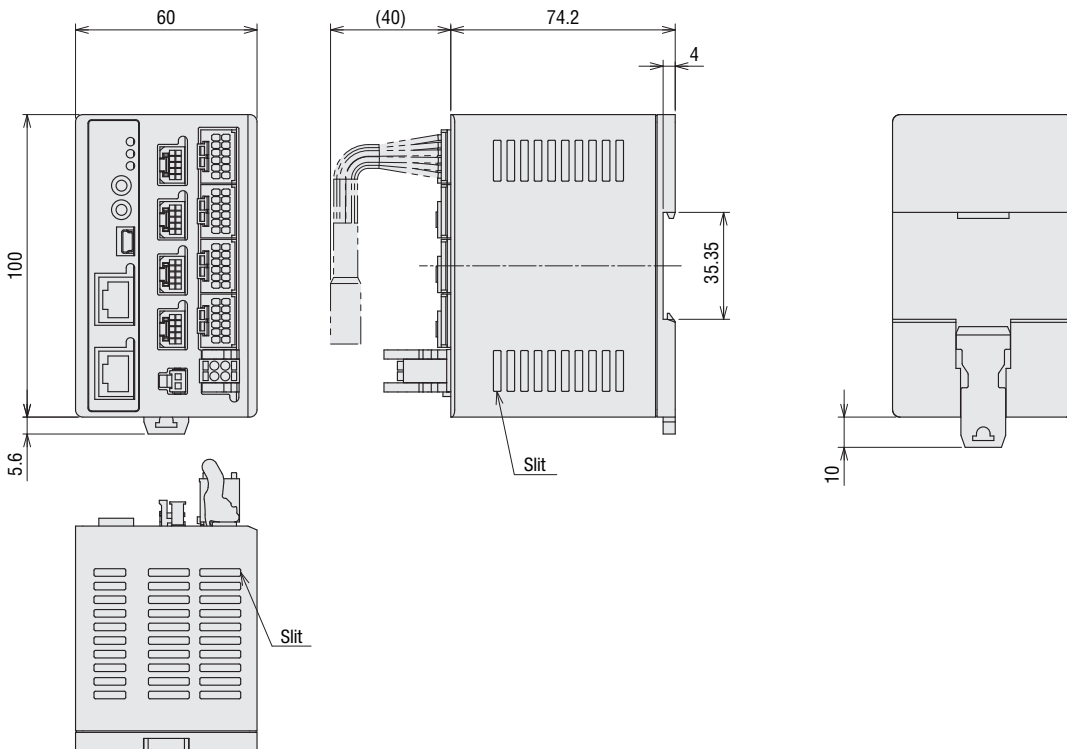
●General Specifications

Degree of Protection: IP20

For other general specifications and communication specifications, please refer to our website.

Dimensions (Unit = mm)

Product Name	Mass [kg]
AZD4C-KED	0.21



●Included Items

Main Power Connector (CN1)	DFMC1,5/2-ST-3,5-LR (Phoenix Contact)	1 piece
Control Power Connector (CN2)	11445022-2 (TE Connectivity)	1 piece
For Control Power Contact	1794610-1 (TE Connectivity)	2 pieces
I/O Signals Connector (CN6)	501646-1000 (MOLEX)	4 pieces
For I/O Signal Contact	501647-1100 (MOLEX)	32 pieces

Cables

Connection Cables

Note The connection cables, flexible connection cables, extension cables and flexible extension cables are different from the existing multi-axis drivers. Be sure to use the slim type cables.

Connection Cables/Flexible Connection Cables (Slim Type)

Product Line

[For **AZM14, AZM15, AZM24, AZM26**]

Connection Cables

For Motor/Encoder

Length L [m]	Product Name
0.5	CCM005Z2AAF
1	CCM010Z2AAF
3	CCM030Z2AAF
5	CCM050Z2AAF
10	CCM100Z2AAF



Flexible Connection Cables

For Motor/Encoder

Length L [m]	Product Name
0.5	CCM005Z2AAR
1	CCM010Z2AAR
3	CCM030Z2AAR
5	CCM050Z2AAR
10	CCM100Z2AAR



[For **AZM46**]

Connection Cables

For Motor/Encoder

Length L [m]	Product Name
0.5	CCM005Z2ABF
1	CCM010Z2ABF
3	CCM030Z2ABF
5	CCM050Z2ABF
10	CCM100Z2ABF



For Motor/Encoder/Electromagnetic Brake

Length L [m]	Product Name
0.5	CCM005Z2ACF
1	CCM010Z2ACF
3	CCM030Z2ACF
5	CCM050Z2ACF
10	CCM100Z2ACF



Flexible Connection Cable

For Motor/Encoder

Length L [m]	Product Name
0.5	CCM005Z2ABR
1	CCM010Z2ABR
3	CCM030Z2ABR
5	CCM050Z2ABR
10	CCM100Z2ABR



For Motor/Encoder/Electromagnetic Brake

Length L [m]	Product Name
0.5	CCM005Z2ACR
1	CCM010Z2ACR
3	CCM030Z2ACR
5	CCM050Z2ACR
10	CCM100Z2ACR



Extension Cables/Flexible Extension Cables Driver Side (For Slim Type)

These are cables to provide an extension between the connection cable and the driver. When using an extension, the total length of the cable must be less than 20 m.

Use the flexible extension cable in applications where the cable is bent and flexed repeatedly.

Product Line

Extension Cables

Length L [m]	Product Name
1	CCM010Z2ADFT
3	CCM030Z2ADFT
5	CCM050Z2ADFT



Flexible Extension Cables

Length L [m]	Product Name
1	CCM010Z2ADRT
3	CCM030Z2ADRT
5	CCM050Z2ADRT



Control Power Supply Cables

Length L [m]	Product Name
0.3	LH003C1
1	LH010C1

